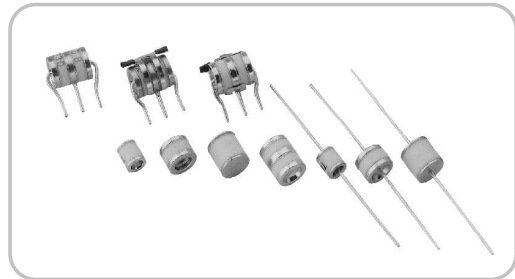


PRODUCT DATA

● Features

1. Rugged Ceramic-Metal Construction
2. Available With or Without Leads
3. Available With Various Leads
4. Available With Fail-Safe Clip
5. Low Capacitance (<2PF)
6. High Transient Current Capability



● Applications

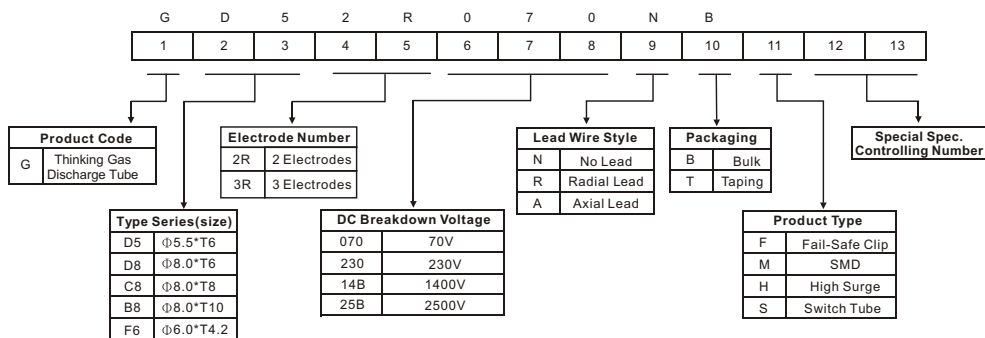
1. Data Transmission Lines
2. Communication Lines
3. CATV System
4. Power Distribution System
5. Power Supplier
6. Test Equipment
7. Instrumentation Circuits

● Approvals



- * UL 497B Recognized
- * UL 1449 Recognized

● Part Number Code



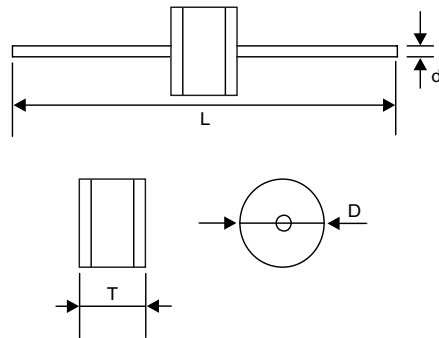
GD82R Φ 8.0mm , T6mm High Surge Series

Type	Max. DC Spark-over Voltage	Max. Impulse Breakdown Voltage		Impulse Discharge Current (8/20 μ s)		Impulse Discharge Life (10/1000 μ s)	Nom. AC Discharge Current	DC holdover voltage	Minimum Insulation Resistance	Maximum Capacitance (1MHz)
		100V/ μ s	1KV/ μ s	1time	10times					
		(V)	(V)	(V)	(KA)					
GD82R070□□H	70 \pm 20%	500	600	20	15	500	20	52	10	1.5
GD82R075□□H	75 \pm 20%	500	600					52		
GD82R090□□H	90 \pm 20%	500	600					52		
GD82R120□□H	120 \pm 15%	500	700					52		
GD82R130□□H	130 \pm 15%	500	700					52		
GD82R145□□H	145 \pm 15%	500	700					52		
GD82R180□□H	180 \pm 15%	500	700					80		
GD82R230□□H	230 \pm 15%	500	700					80		
GD82R250□□H	250 \pm 15%	500	700					80		
GD82R300□□H	300 \pm 15%	700	900					150		
GD82R350□□H	350 \pm 15%	700	900					150		
GD82R400□□H	400 \pm 15%	800	1000					150		
GD82R470□□H	470 \pm 15%	900	1000					150		

Note1 : The first □ is the style of lead wire, the second □ is packaging.

Note2 : H = High Surge Series

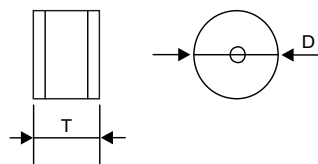
□ = A (Axial lead type)



Unit: mm

Item	Dimensions	
	Spec.	Tolerance
D	8.0	\pm 0.3
T	6.0	\pm 0.3
L	60.0	\pm 4.0
d	1.0	\pm 0.05

□ = N (No lead type)



Unit: mm

Item	Dimensions	
	Spec.	Tolerance
D	8.0	\pm 0.3
T	6.0	\pm 0.3