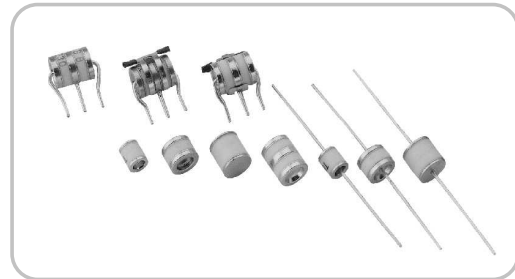


## PRODUCT DATA

### ● Features

1. Rugged Ceramic-Metal Construction
2. Available With or Without Leads
3. Available With Various Leads
4. Available With Fail-Safe Clip
5. Low Capacitance (<2PF)
6. High Transient Current Capability



### ● Applications

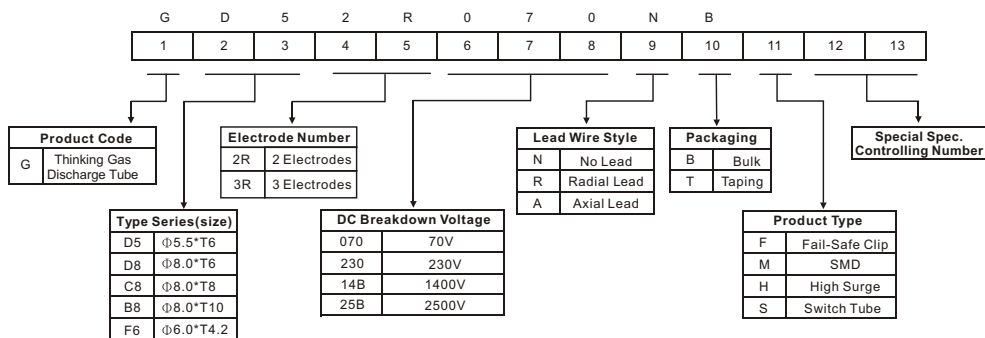
1. Data Transmission Lines
2. Communication Lines
3. CATV System
4. Power Distribution System
5. Power Supplier
6. Test Equipment
7. Instrumentation Circuits

### ● Approvals



- \* UL 497B Recognized
- \* UL 1449 Recognized

### ● Part Number Code



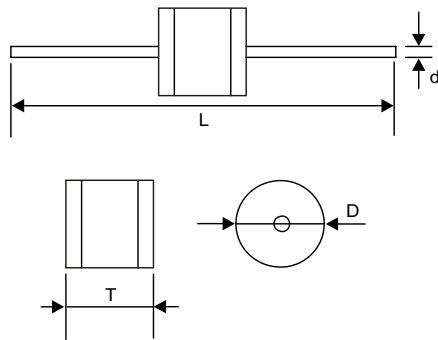
GC82R  $\Phi$ 8.0mm , T8mm High Voltage Series

Type	Max. DC Spark-over Voltage	Max. Impulse Breakdown Voltage		Impulse Discharge Current (8/20 $\mu$ s)		Impulse Discharge Life (10/1000 $\mu$ s)	Nom. AC Discharge Current	Minimum Insulation Resistance	Maximum Capacitance (1MHz)
	(100V/S)	100V/ $\mu$ s	1KV/ $\mu$ s	1time	10times	100A	50Hz, 1S		
	(V)	(V)	(V)	(KA)		Times	(A)		
GC82R600□	600 $\pm$ 15%	1000	1100	10	5	500	10	10	1.5
GC82R800□	800 $\pm$ 15%	1100	1200			500			
GC82R10B□	1000 $\pm$ 20%	1300	1400			300			
GC82R14B□	1400 $\pm$ 20%	2100	2200	2.5	2.5	10	2.5		
GC82R16B□	1600 $\pm$ 20%	2300	2400						
GC82R20B□	2000 $\pm$ 20%	2700	2800						
GC82R25B□	2500 $\pm$ 20%	3500	3600						
GC82R27B□	2700 $\pm$ 20%	3700	3800						
GC82R30B□	3000 $\pm$ 20%	4100	4200						

Note1 : □ =The style of lead wire

Note2 : \* =Measured with an 8/20us waveform, 100A

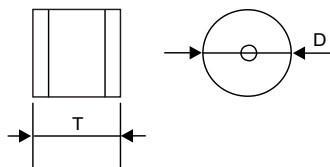
□ = A (Axial lead type)



Unit: mm

Item	Dimensions	
	Spec.	Tolerance
D	8.0	$\pm$ 0.3
T	8.0	+0.6/-0.1
L	60.0	$\pm$ 4.0
d	0.8	$\pm$ 0.05
	1.0	

□ = N (No lead type)



Unit: mm

Item	Dimensions	
	Spec.	Tolerance
D	8.0	$\pm$ 0.3
T	8.0	+0.6/-0.1